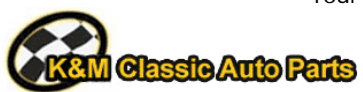




MOPAR



Your Authorized Golden Leaf Automotive Dealer:



<http://kmclassicauto.com>

sales@kmclassicauto.com

Phone: 613-623-5289 Fax: 613-623-6138

Challenger® Index

B

Battery Trays: 3
 Brace: 3
 Hold Down: 3
 “J” bolts: 3
Bumpers: 1
 Brackets: 1
 Guard: 1

C

Control Arms: 16
Cowl Panels: 4
Cowl Side Panels: 3
Crossmember, Rear: 13
Crossmember/Torsion Bar Anchor: 5

D

Deck Filler Panel: 9
Door
 Glass: 14
 Glass Tracks: 14
 Hinges: 13
 Shells: 14
 Window Regulator: 15
Drip Rails: 5

F

Fenders, Front: 1
Firewall: 4
Floor Pans: 6
Frame Rails: 9

Fuel Senders: 10
Fuel Tanks: 10

G

Gas Tank Brace: 11
Gas Tank Straps: 11
Grille Panel: 15

H

Headlamp Bezel: 15
Hood Hinges: 3

I

Ignition Switch Bracket: 5
Inner Fender Panels: 2

L

Locks: 17

M

Mirror, Exterior: 16

Q

Quarter Panels: 7, 8
Quarter Window Regulator: 15

R

Radiator Support: 3
Rocker Panels: 7
Roof Panel & Braces: 5

S

Scuff Plates: 16
Seat Back Catches: 7
Seat Belts: 18
Shock Towers: 2
Shock Tower & Apron Assy.: 2

T

Tail Lamp Panel: 9
 Brace & Bracket: 9
Transition/Rear Seat Floor Pan: 13
Trunk
 Crossmember: 11
 Floor Drop-Offs: 13
 Floor Pans: 12
 Lid: 11
 Lid Hinges: 11
 Lid Latch: 11
 Shield Muffler Covers: 13
 Weatherstrip Channels: 11

V

Valance, Front: 1
Valance, Rear: 9

W

Wheelhouses: 8
Wiper Transmission Arms: 16

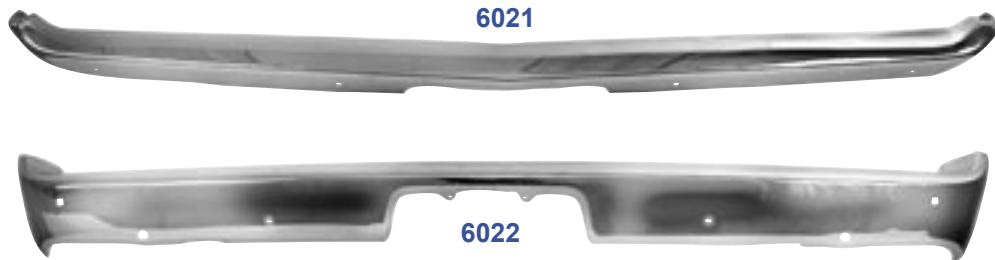
Your Authorized Golden Leaf Automotive Dealer:



<http://kmclassicautoparts.com>
sales@kmclassicautoparts.com
Phone: 613-623-5289 Fax: 613-623-6138

CHALLENGER®

Bumpers & Guards



6021	New	1970-71	Front Bumper (Will fit 1972 without jack slots)	MSRP \$305.00 ea
6022	New	1970-71	Rear Bumper (Will fit 1972 without jack slots)	MSRP \$305.00 ea
6023	New	1970-72	Rear Bumper Guard	Coming Soon!

Front Valance



Bumper Brackets



6020	New	1970-72	Front Bumper Brackets, 4 pcs.	MSRp \$182.00 set
------	-----	---------	-------------------------------	-------------------

6004	New	1970-74	Front Valance	Coming Soon!
------	-----	---------	---------------	--------------

Front Fenders



6060	New	1970-71	Front Fender, RH	MSRP \$765.00 ea
6061	New	1970-71	Front Fender, LH	MSRP \$765.00 ea
6061A	New	1972-74	Front Fender, RH	MSRP \$765.00 ea
6061B	New	1972-74	Front Fender, LH	MSRP \$765.00 ea

Your Authorized Golden Leaf Automotive Dealer:



<http://kmclassicauto.com>
 sales@kmclassicauto.com
 Phone: 613-623-5289 Fax: 613-623-6138

CHALLENGER®

Inner Fender Panels

6063A



6062A	New	1970-74	Inner Fender Panel Kit, 13 pc., RH
6063A	New	1970-74	Inner Fender Panel Kit, 13 pc., LH

MSRP \$325.00 ea

Shock Towers

6002

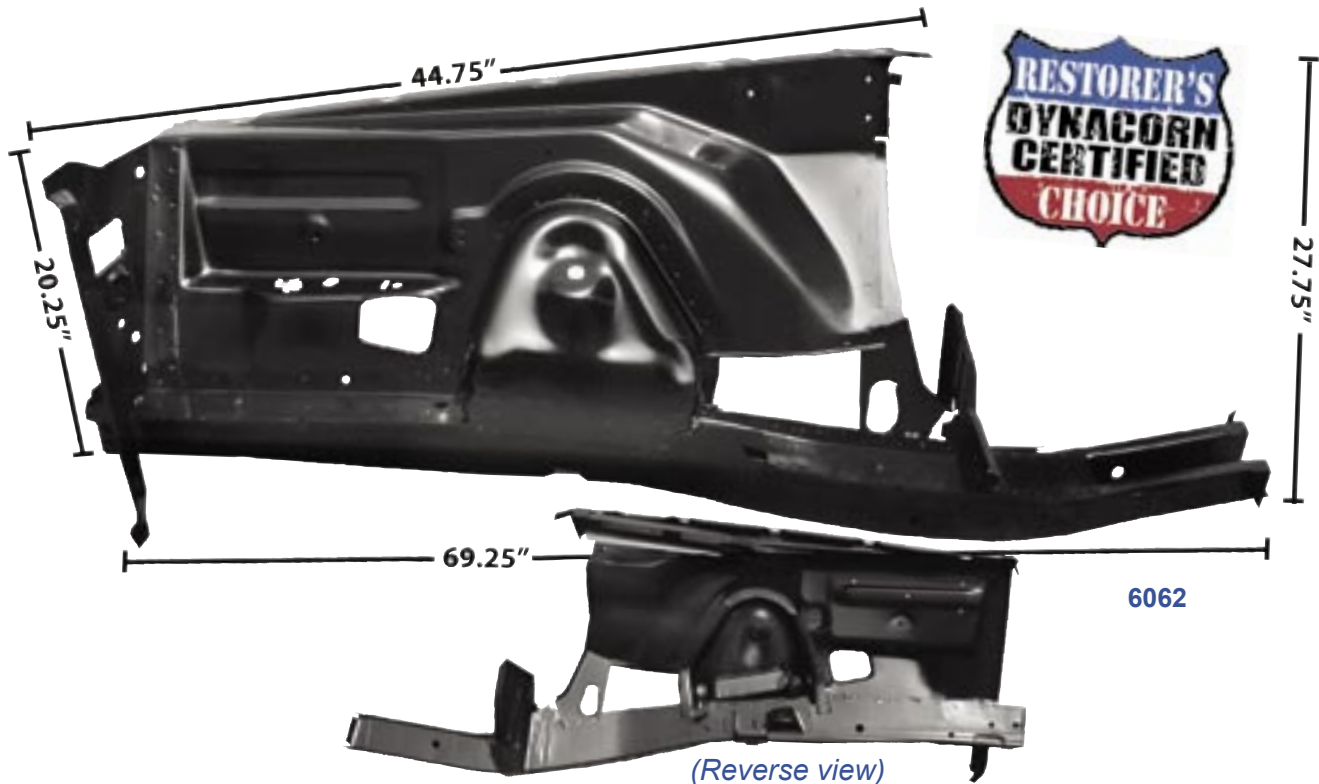


(Back View)

6002	New	1970-74	Shock Tower, RH
6003	New	1970-74	Shock Tower, LH

MSRP \$190.00 ea

Shock Tower & Apron Assy.



6062

6062	New	1970-74	Complete Shock Tower & Apron Assy., RH
6063	New	1970-74	Complete Shock Tower & Apron Assy., LH

MSRP \$1330.00 ea

MSRP \$1330.00 ea

Your Authorized Golden Leaf Automotive Dealer:

CHALLENGER®



6005 New 1970-74 Radiator Support, "E" Body, 2 pieces
MSRP \$305.00 ea



6030 New 1970-74 Battery Tray (Also 1970-72 "B" Body)
MSRP \$24.00 ea

6033 New 1970-74 Battery Tray Brace (Also 1970-74 "B" Body)
MSRP \$15.00 ea

6031 New 1970-71 1970-71,73 Battery Tray Hold-Down, (A-Body & E-Body) (B-Body)
MSRP \$10.00 ea

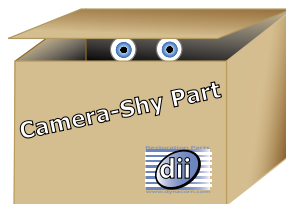
6032 New 1970-74 Battery Tray "J" bolts
Coming Soon!

Battery Tray



6011 New 1970-74 Hood Hinge, RH
 6011A New 1970-74 Hood Hinge, LH
MSRP \$129.00 ea

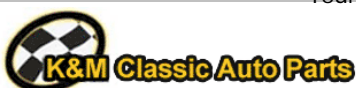
Hood Hinges



6041 New 1970-74 Cowl Side Panel, RH **Coming Soon!**
 6042 New 1970-74 Cowl Side Panel, LH **Coming Soon!**

Cowl Side Panels

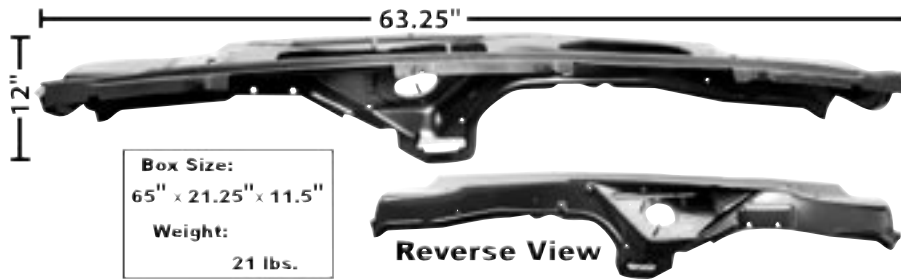
Your Authorized Golden Leaf Automotive Dealer:



<http://kmclassicauto.com>
sales@kmclassicauto.com
 Phone: 613-623-5289 Fax: 613-623-6138

CHALLENGER®

Cowl Panels

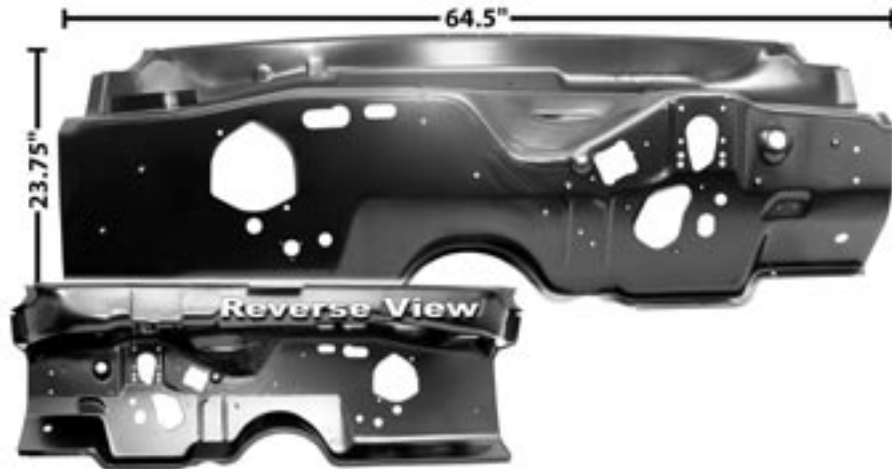


Box Size:
65" x 21.25" x 11.5"
Weight:
21 lbs.

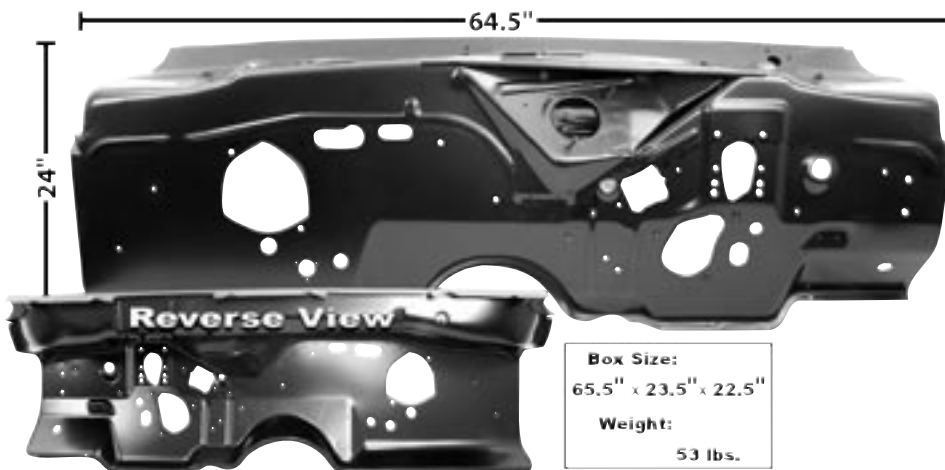
6040 New 1970-74 Lower Cowl Panel

MSRP \$515.00 ea

Firewall



6070



6040A

Box Size:
65.5" x 23.5" x 22.5"
Weight:
53 lbs.

6070 New 1970-74 Firewall

MSRP \$574.00 ea

6040A New 1970-74 Complete Firewall with Lower Cowl

MSRP \$1265.00 ea

Your Authorized Golden Leaf Automotive Dealer:

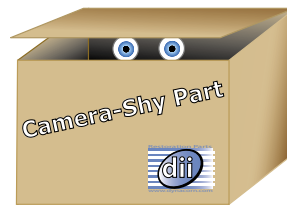
CHALLENGER®

Drip Rails



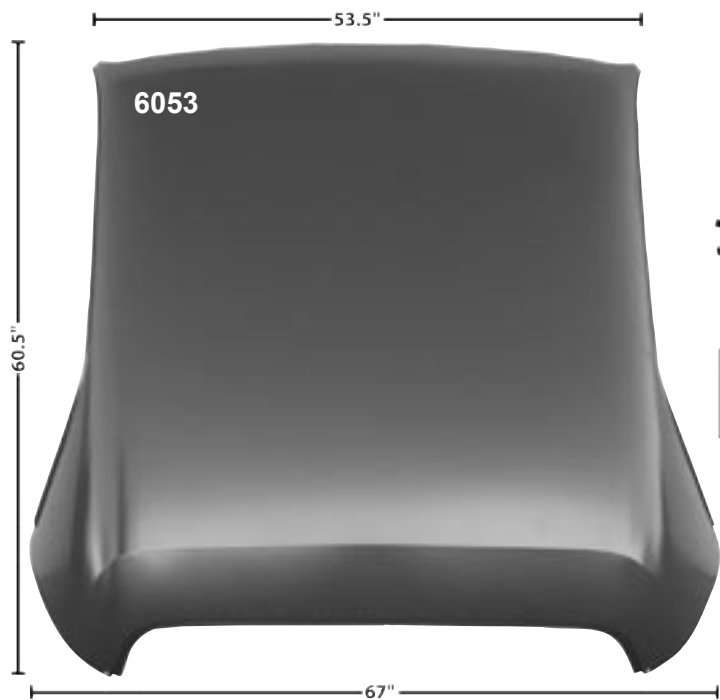
Ignition Switch Bracket

6013 New 1970-74 Ignition Switch Bracket
MSRP \$54.00 ea



6055 New 1970-74 Door Drip Rails, pr
Coming Soon!

Roof Panel



Box Size:
48" x 6" x 6"
Weight:
15.4 lbs.

6053A



6053 New 1970-74 Roof Panel MSRP \$630.00 ea
6053A New 1970-74 Roof Panel Brace MSRP \$355.00 set

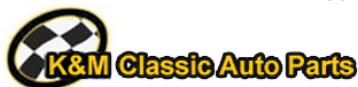
Crossmember



Underside View

6066B New 1970 Crossmember/Torsion Bar Anchor MSRP \$535.00 ea

Your Authorized Golden Leaf Automotive Dealer:



<http://kmclassicauto.com>
sales@kmclassicauto.com
Phone: 613-623-5289 Fax: 613-623-6138

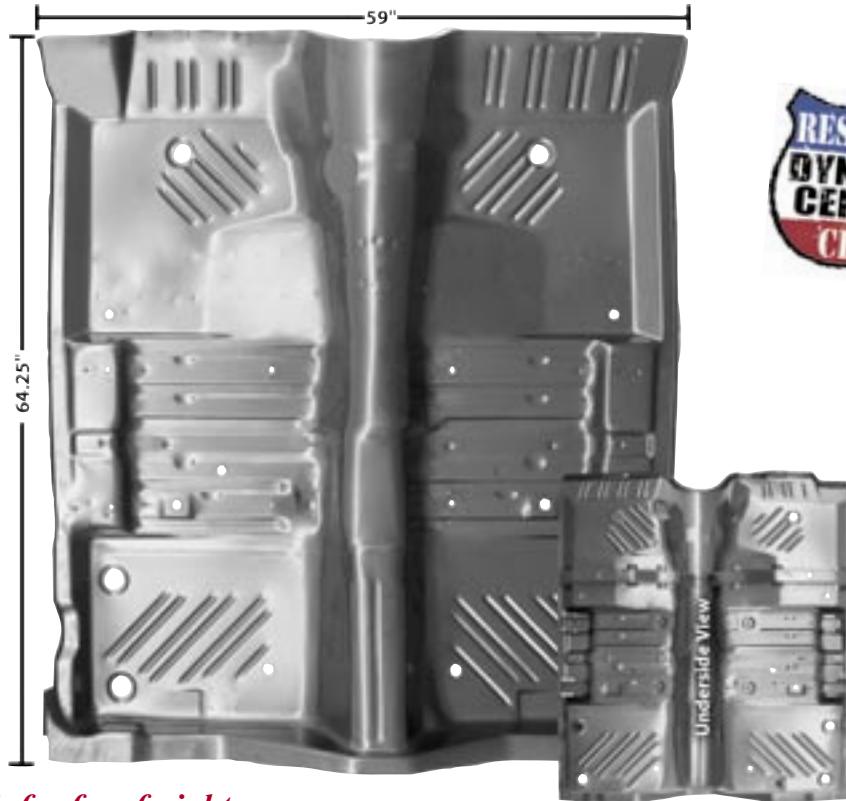
CHALLENGER®

Floor Pans



6066 New 1970 Floor Pan

MSRP \$765.00 ea



Does not qualify for free freight program.

6066A New 1970 Complete Floor Pan with 6066B & outer brackets

MSRP \$1150.00 ea

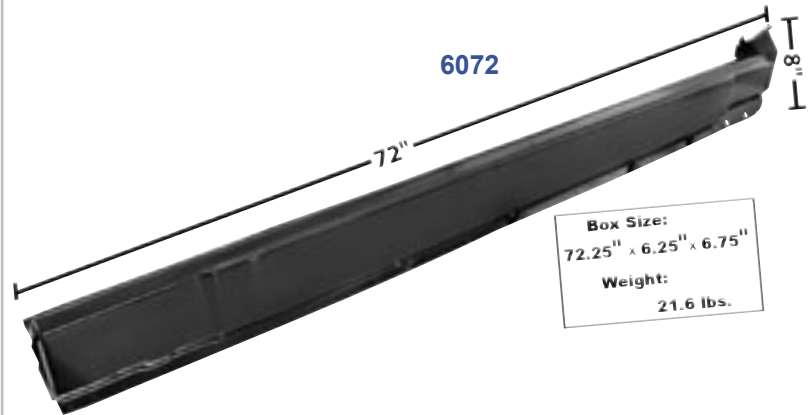
Your Authorized Golden Leaf Automotive Dealer:

Seat Back Catches



6080A	New	1970-74	Seat Back Catch, RH
6080B	New	1970-74	Seat Back Catch, LH

MSRP \$87.00 set



6072	New	1970-74	Rocker Panel, RH
6073	New	1970-74	Rocker Panel, LH

MSRP \$344.00 ea



6094	New	1970-71	Quarter Panel, RH
6095	New	1970-71	Quarter Panel, LH

Coming Soon!
Coming Soon!

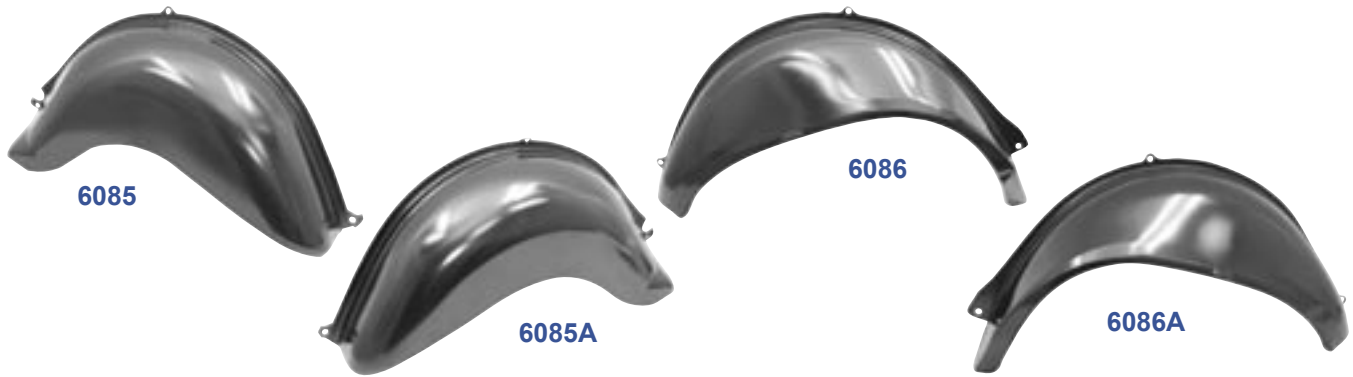
Your Authorized Golden Leaf Automotive Dealer:

Quarter Panels, cont'd.



6096	New	1972-74	Quarter Panel, RH	<i>Coming Soon!</i>
6097	New	1972-74	Quarter Panel, LH	<i>Coming Soon!</i>

Wheelhouses



6085	New	1970-74	Wheelhouse, Inner RH	MSRP \$132.00 ea
6085A	New	1970-74	Wheelhouse, Inner LH	MSRP \$132.00 ea
6086	New	1970-74	Wheelhouse, Outer RH	MSRP \$132.00 ea
6086A	New	1970-74	Wheelhouse, Outer LH	MSRP \$132.00 ea

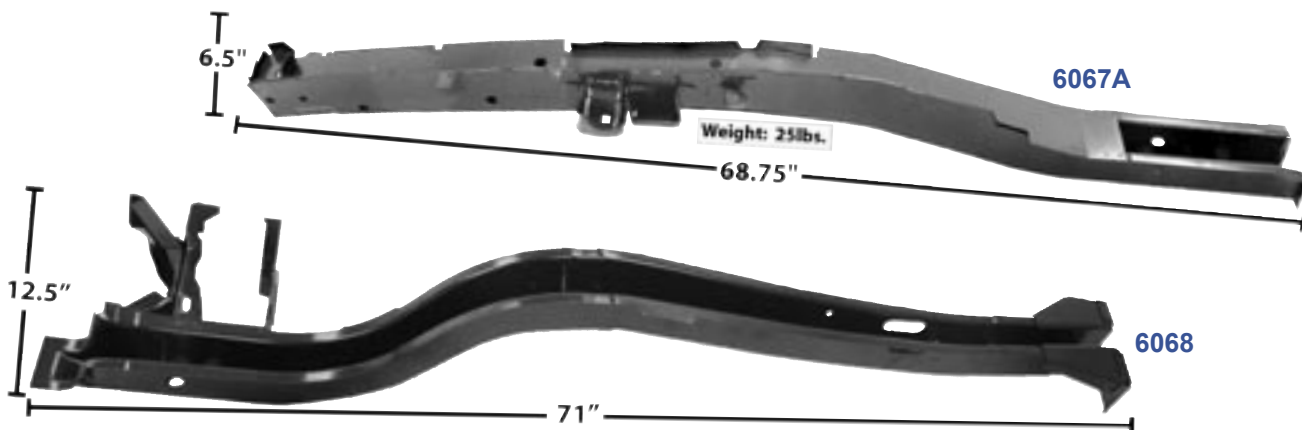


6087	New	1970-74	Wheelhouse, Complete (Inner & Outer) RH	MSRP \$267.00 ea
6087A	New	1970-74	Wheelhouse, Complete (Inner & Outer) LH	MSRP \$267.00 ea

Your Authorized Golden Leaf Automotive Dealer:

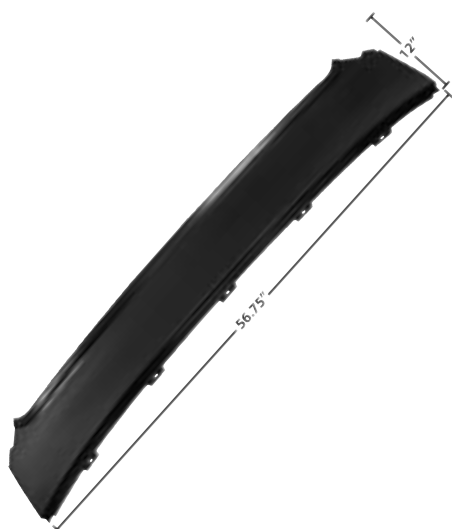
CHALLENGER®

Frame Rails



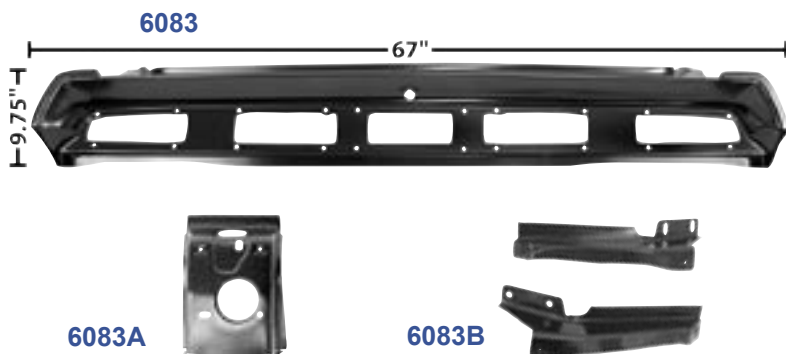
6067	New	1970-74	Front Frame Rail RH	MSRP \$475.00 ea
6067A	New	1970-74	Front Frame Rail LH	MSRP \$475.00 ea
6068	New	1970-74	Rear Frame Rail RH	MSRP \$475.00 ea
6068A	New	1970-74	Rear Frame Rail LH	MSRP \$475.00 ea

Tail Lamp Panel



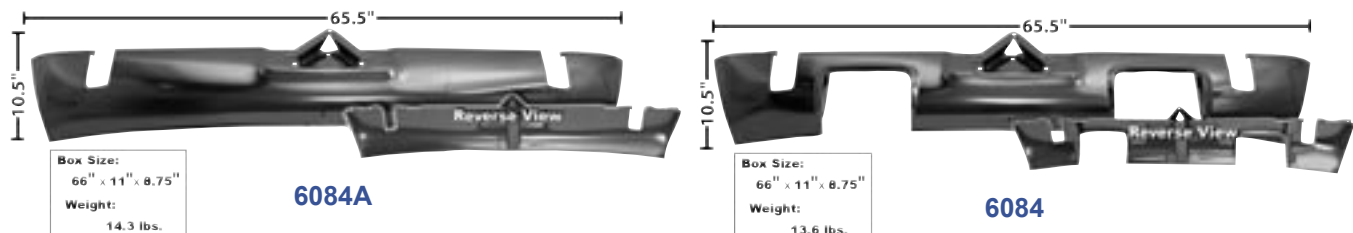
6090	New	1970-74	Deck Filler Panel	MSRP \$170.00 ea
------	-----	---------	-------------------	------------------

Deck Filler Panel



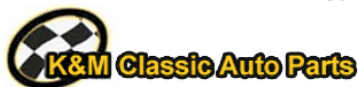
6083	New	1970	Tail Lamp Panel	MSRP \$439.00 ea
6083A	New	1970-74	Tail Lamp Panel Brace	MSRP \$54.00 ea
6083B	New	1970-74	Tail Lamp Panel Brackets	MSRP \$45.00 pr

Rear Valances



6084A	New	1970-74	Rear Valance, Standard	MSRP \$229.00 ea
6084	New	1970-74	Rear Valance, Dual Exhaust	MSRP \$229.00 ea

Your Authorized Golden Leaf Automotive Dealer:



<http://kmclassicauto.com>
sales@kmclassicauto.com
 Phone: 613-623-5289 Fax: 613-623-6138



CHALLENGER®

Fuel Tanks



T84	New	1970	Fuel Tank, without ECS or vent tubes	MSRP \$305.00 ea
T85	New	1970	Fuel Tank, with 4 vent tubes	MSRP \$305.00 ea
T86	New	1972-74	Fuel Tank, with 4 vent tubes	MSRP \$305.00 ea

Fuel Senders



T87	New	1970-74	Fuel Sending Unit, 5/16"	MSRP \$57.00 ea
T88	New	1970-74	Fuel Sending Unit, 3/8" and 1/4"	MSRP \$57.00 ea
T89	New	1970-74	Fuel Sending Unit, 1/2" and 1/4"	MSRP \$57.00 ea

Your Authorized Golden Leaf Automotive Dealer:

CHALLENGER®

Trunk Lid Hinges



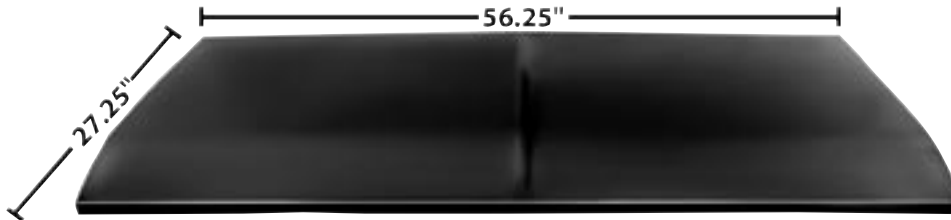
6080C New 1970-74 Trunk Lid Hinges, pr
MSRP \$182.00 pr

Trunk Lid Latch



6080D New 1970-74 Trunk Lid Latch
MSRP \$64.00 ea

Trunk Lid



Box Size:
 59" x 28.50" x 4.75"
Weight:
 40.8 lbs.

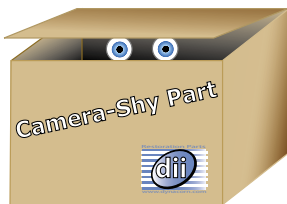
6080 New 1970-74 Trunk Lid **MSRP \$375.00 ea**

Trunk Crossmember



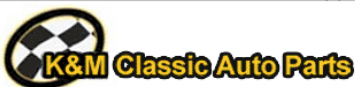
6081 New 1970-74 Trunk Floor Crossmember
MSRP \$130.00 ea

Weatherstrip Channels



6083C New 1970-74 Trunk Weatherstrip Channels, pr
MSRP \$209.00 pr

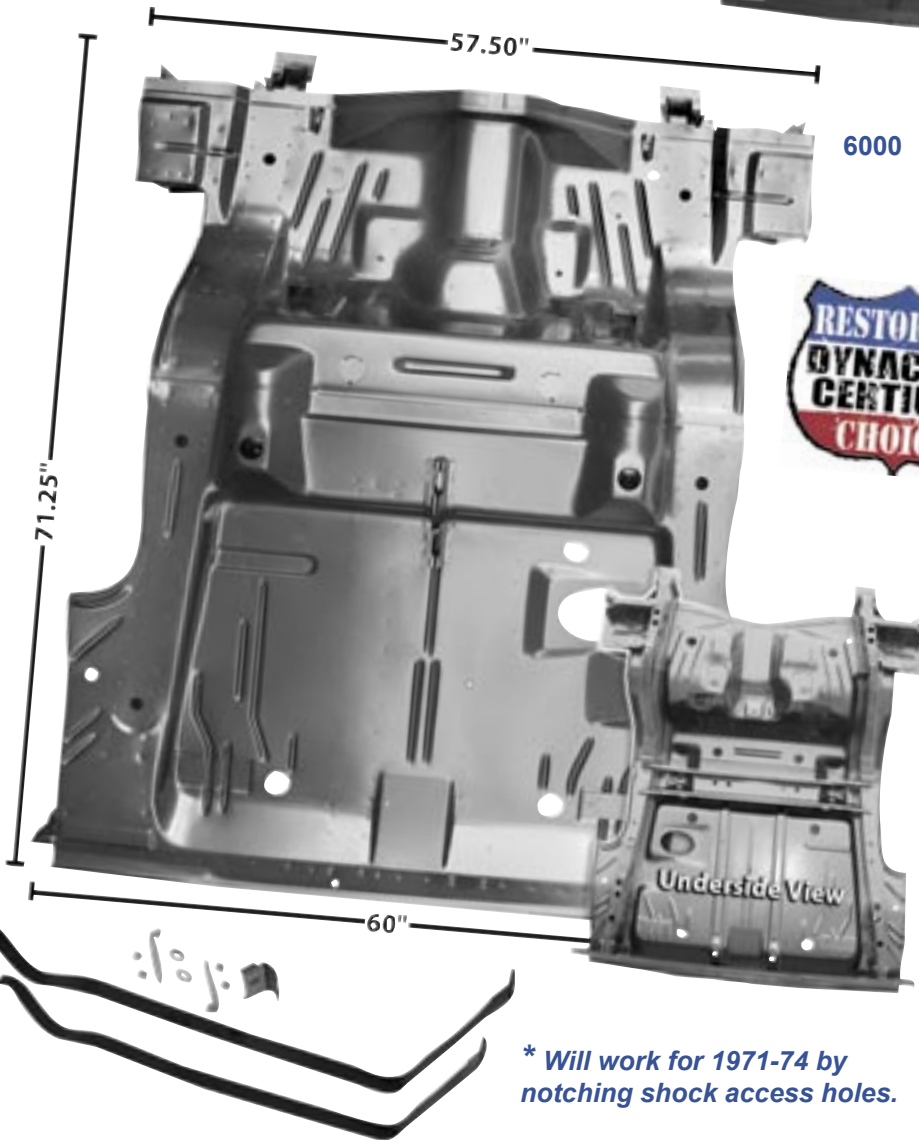
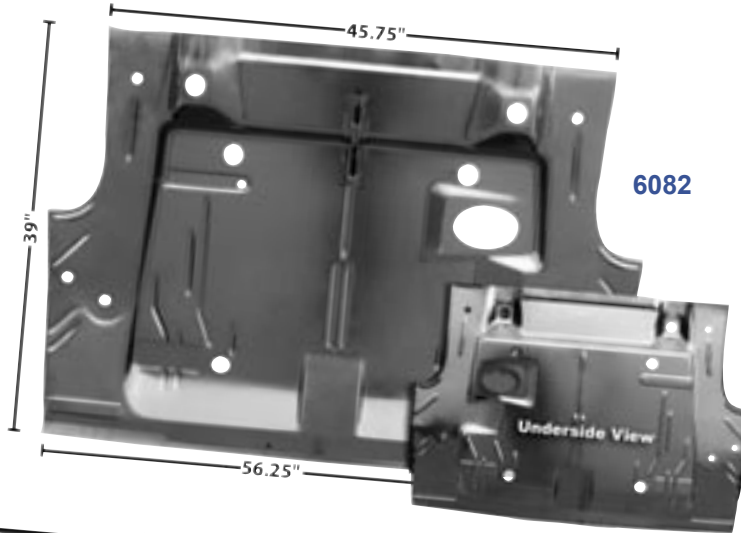
Your Authorized Golden Leaf Automotive Dealer:



<http://kmclassicauto.com>
 sales@kmclassicauto.com
 Phone: 613-623-5289 Fax: 613-623-6138

CHALLENGER®

Trunk Floor Pans



- Includes:**
 *6082
 *6071
 *6068
 *6068A & *6068B
 *6069 & *6069A

** Will work for 1971-74 by notching shock access holes.*

6082	New	1970*	Trunk Floor Pan	MSRP \$382.00 ea
6000	New	1970*	Complete Trunk Floor Pan W/rear frame rails & gas tank straps	MSRP \$2050.00 ea

Your Authorized Golden Leaf Automotive Dealer:

CHALLENGER®



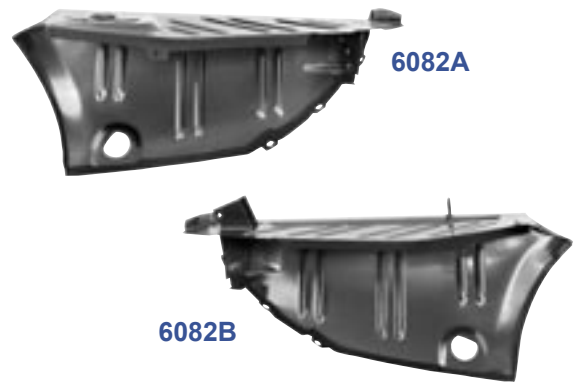
6071	New	1970-74	Transition/Rear Seat Floor Pan	MSRP \$432.00 ea
------	-----	---------	--------------------------------	-------------------------

Transition Pan



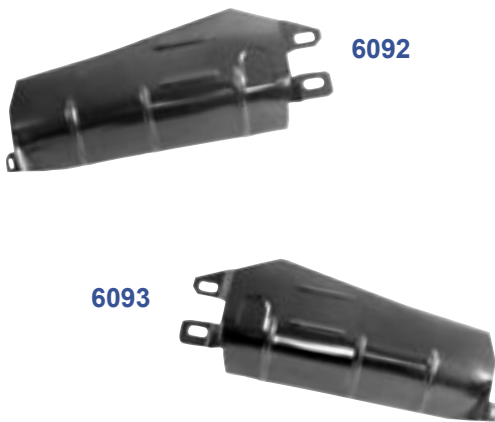
Rear Crossmember

6068B	New	1970-74	Rear Crossmember / Shock Absorber	MSRP \$240.00 ea
-------	-----	---------	-----------------------------------	-------------------------



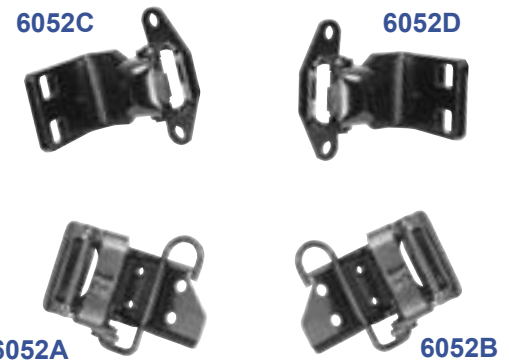
Trunk Floor Drop-Offs

6082A	New	1970-74	Trunk Floor Drop-Off, RH
6082B	New	1970-74	Trunk Floor Drop-Off, LH
MSRP \$110.00 ea			



Trunk Shield Muffler Covers

6092	New	1970-74	Trunk Shield Muffler Cover, RH
6093	New	1970-74	Trunk Shield Muffler Cover, LH
MSRP \$57.00 ea			



Door Hinges

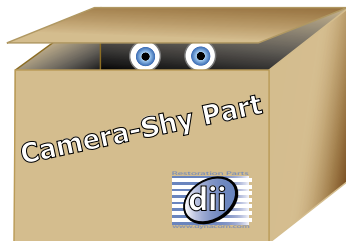
6052C	New	1970-74	Upper Door Hinge, RH
6052D	New	1970-74	Upper Door Hinge, LH
MSRP \$85.00 ea			
6052A	New	1970-74	Lower Door Hinge, RH
6052B	New	1970-74	Lower Door Hinge, LH
MSRP \$95.00 ea			

Your Authorized Golden Leaf Automotive Dealer:



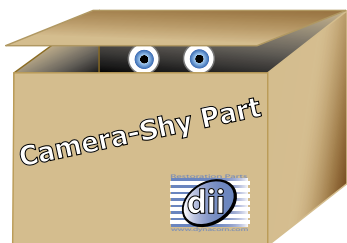
<http://kmclassicauto.com>
sales@kmclassicauto.com
 Phone: 613-623-5289 Fax: 613-623-6138

Door Shells



6050	New	1970	Door Shell, RH	<i>Coming Soon!</i>
6051	New	1970	Door Shell, LH	<i>Coming Soon!</i>

Door Glass



6058	New	1970-74	Complete Door Glass, RH	<i>Coming Soon!</i>
6058A	New	1970-74	Complete Door Glass, LH	<i>Coming Soon!</i>

Door Glass Tracks



6051A	New	1970-74	Door Glass Track, RH	MSRP \$132.00 set
6051B	New	1970-74	Door Glass Track, LH	MSRP \$132.00 set

Your Authorized Golden Leaf Automotive Dealer:

CHALLENGER®



6056	New	1970-74	Quarter Window Regulator, RH	<i>Coming Soon!</i>
6056A	New	1970-74	Quarter Window Regulator, LH	<i>Coming Soon!</i>

6054

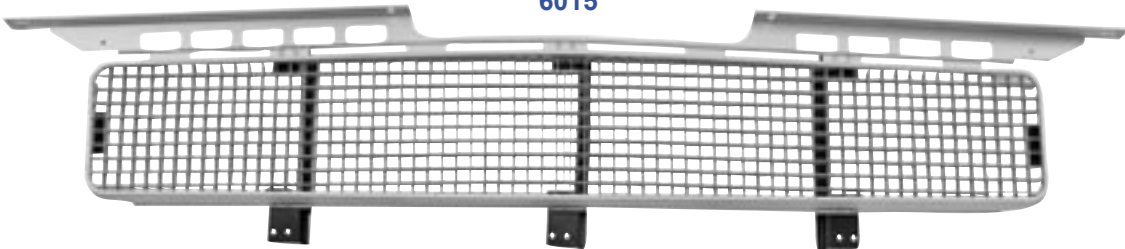


6054A



6054	New	1970-72	Door Window Regulator, RH	Challenger	MSRP \$267.00 ea
6054A	New	1970-72	Door Window Regulator, LH	Challenger	MSRP \$267.00 ea
6057	New	1970-74	Door Window Regulator, RH	Barracuda	MSRP \$267.00 ea
6057A	New	1970-74	Door Window Regulator, LH	Barracuda	MSRP \$267.00 ea

6015



6015	New	1970	Grille Panel	MSRP \$515.00 ea
6012	New	1970-74	Headlamp Bezel, RH	<i>Coming Soon!</i>
6012A	New	1970-74	Headlamp Bezel, LH	<i>Coming Soon!</i>

Your Authorized Golden Leaf Automotive Dealer:



<http://kmclassicauto.com>
sales@kmclassicauto.com
 Phone: 613-623-5289 Fax: 613-623-6138

Scuff Plates



M6000 New 1970-74 Scuff Plates
MSRP \$152.00 pr

Exterior Mirror



M1035B New 1967-76 Exterior Mirror (Non-Remote), A-Body
 1967-70 B-Body
MSRP \$54.00 ea

Control Arms



6008



6009

6008 New 1970-74 Control Arm, Upper RH
MSRP \$229.00 pr
 6009 New 1970-74 Control Arm, Upper LH
MSRP \$229.00 pr

Wiper Transmission Arms

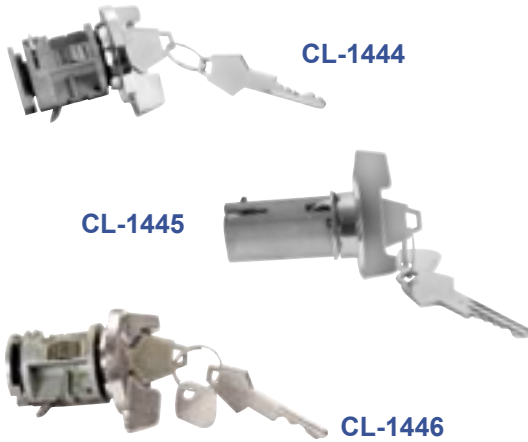


6001 New 1970-74 Wiper Transmission Arms, pr
Coming Soon!

Your Authorized Golden Leaf Automotive Dealer:

CHALLENGER®

Ignition Locks



CL-1444	New	1970-71	Ignition, Original (w/o tilt, tele)	MSRP \$20.00 ea
CL-1445	New	1972-74	Ignition, Original (with tilt, tele)	MSRP \$20.00 ea
CL-1446	New	1972-74	Ignition, Original (w/o tilt, tele)	MSRP \$20.00 ea



CL-4882	New	1970-71	Ignition & Door, Blank	MSRP \$34.00 ea
CL-4882C	New	1970-71	Ignition & Door, Original	MSRP \$40.00 ea
CL-1511	New	1972-74	Ignition & Door, Blank (with tilt, tele)	MSRP \$34.00 ea
CL-1511C	New	1972-74	Ignition & Door, Original (with tilt, tele)	MSRP \$40.00 ea
CL-1513	New	1972-74	Ignition & Door, Blank (w/o tilt, tele)	MSRP \$27.00 ea
CL-1513C	New	1972-74	Ignition & Door, Original (w/o tilt, tele)	MSRP \$35.00 ea

Trunk Locks



CL-1500	New	1970-72	Trunk, Original	MSRP \$15.00 ea
CL-1500C	New	1970-72	Trunk, Logo	MSRP \$22.00 ea
CL-1501	New	1973-74	Trunk, Original	MSRP \$19.00 ea
CL-1501C	New	1973-74	Trunk, Logo	MSRP \$25.00 ea

See also our Lock Section for more details...



CL-1502	New	1970-74	Door, Original (without illumination)	MSRP \$15.00 ea
CL-1532	New	1970-74	Door, Original (with illumination)	MSRP \$34.00 ea

Door Locks

Your Authorized Golden Leaf Automotive Dealer:



<http://kmclassicauto.com>
sales@kmclassicauto.com
 Phone: 613-623-5289 Fax: 613-623-6138